



NetUMI

NETWORK UTILITY METER INTERFACE

The NetUMI network utility meter interface accepts incoming pulses from your electrical utility meter's pulse initiator and trends, correlates, and reports your building's electrical demand and consumption over your TCP/IP network to a standard web browser.

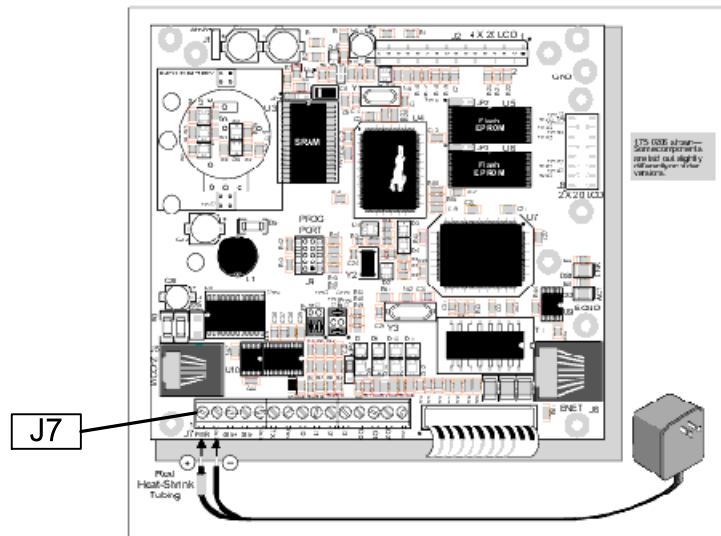
Fully loaded with its own database, reports and setup software, you may use the NetUMI's built-in reporting package right out of the box to monitor your building electrical usage or you may integrated the NetUMI's data with other software packages capable of receiving XML data transfer.

The NetUMI is a slim 5.7" x 6.7" x 2.0" which may be securely mounted to the wall or panel mounted.



Back View

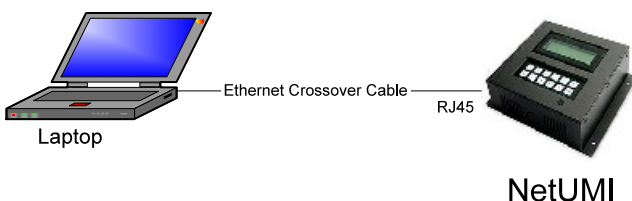
- 4 protected logic-level digital inputs
- 4 protected sinking digital outputs
- High-visibility backlit 4 x 20 LCD
- 10Base-T Ethernet interface
- TCP/IP capability
- RS-232 and RS-485 serial ports
- 512K SRAM and 512K flash EPROM
- Self-healing lens is scratch, impact, and abrasion-resistant
- Real-time clock
- Watchdog supervisor
- Voltage regulator
- Backup battery
- Splash-resistant when panel-mounted using the supplied gasket
- Can be wall-mounted or panel-mounted
- Multi-user web server



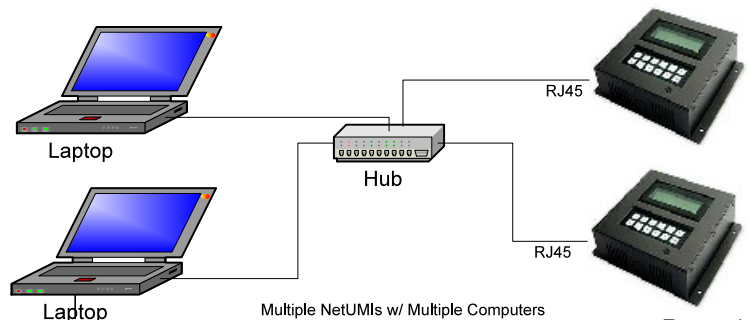
Four digital inputs (I0 - I3) on terminal strip J7 located on the back of the NetUMI are available for receiving up to four utility meter inputs. The NetUMI also has four open-collector outputs (O0 - O3) rated at 200 mA, 40 VDC max on J7 for sending programmable digital output signals to other panels.

Direct Connect w/ Ethernet Crossover Cable

Connection through Hub w/ Standard Ethernet



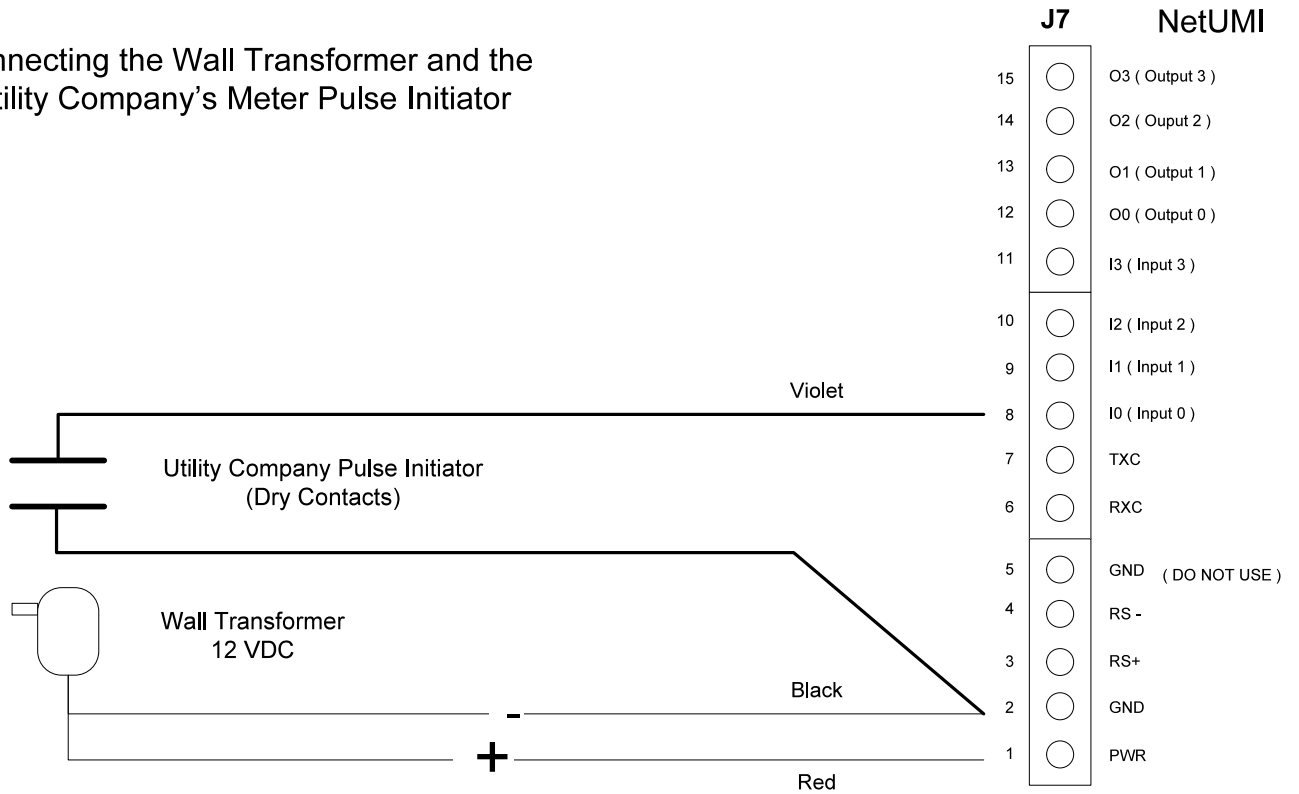
Single NetUMI w/ Single Computer



Multiple NetUMIs w/ Multiple Computers

NetUMI Network Utility Meter Interface

Connecting the Wall Transformer and the Utility Company's Meter Pulse Initiator



Connecting the Setpoint Controlled Output

